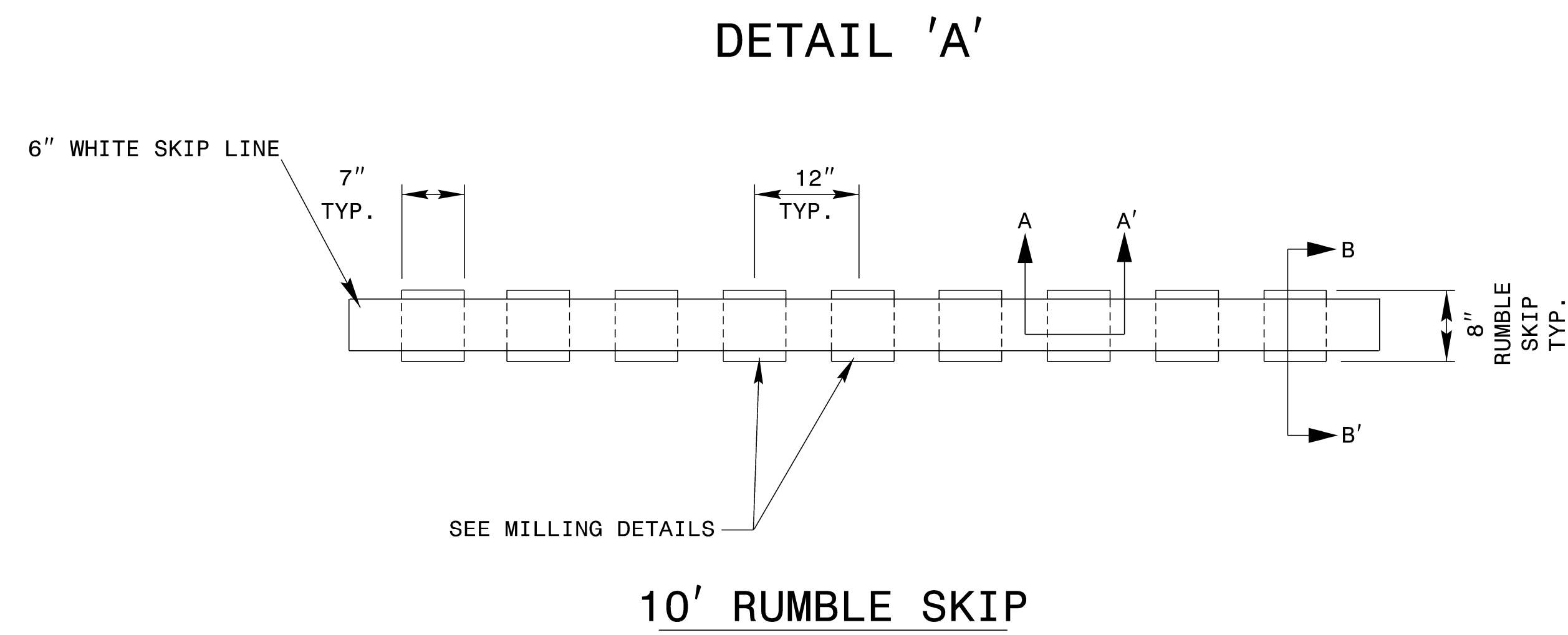
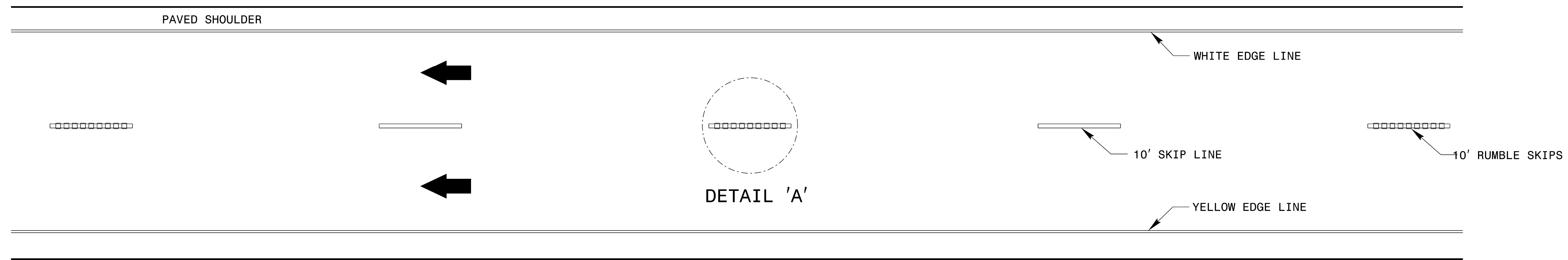
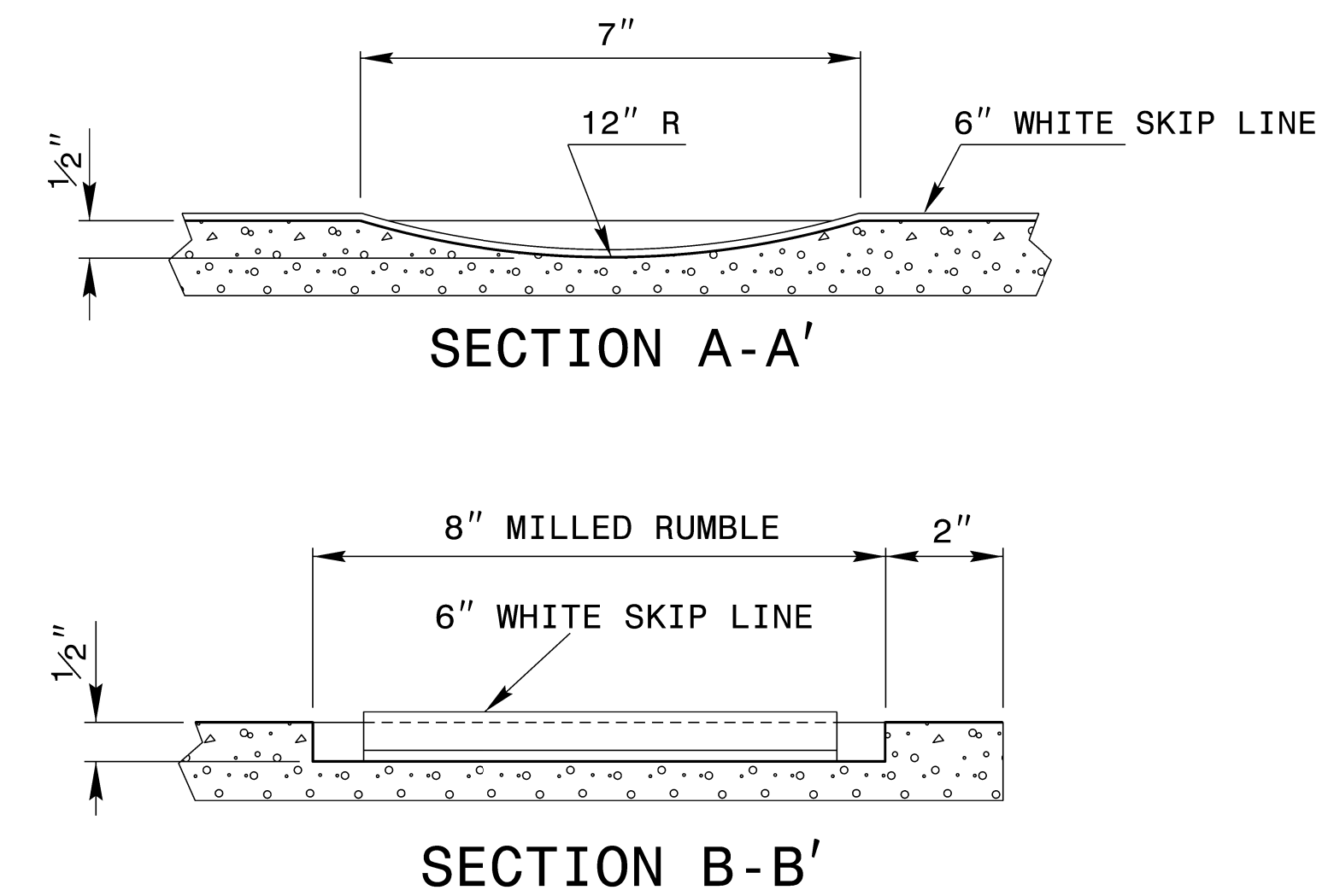


## LANE TREATMENT



### MILLING/MARKING DETAILS



**NOTES:**

- 1) USING A VACUUM IN THE SAME OPERATION, REMOVE ALL DEBRIS FROM THE MILLINGS JUST PRIOR TO PLACING ANY PAVEMENT MARKINGS.
- 2) ENSURE GLASS BEADS ARE SPREAD UNIFORMLY OVER THE ENTIRE SURFACE OF PAVEMENT MARKING.
- 3) MILL RUMBLES EVERY OTHER SKIP AS SHOWN.
- 4) SEE PLANS FOR MARKING THICKNESS

<b>CONTRACTS STANDARDS AND DEVELOPMENT UNIT</b>	
Office 919-707-8950	FAX 919-250-4119
<b>DETAIL OF MILLED RUMBLE SKIPS</b>	
ORIGINAL BY: <u>rgwatson</u>	DATE: <u>02-06-2024</u>
MODIFIED BY: _____	DATE: _____
CHECKED BY: _____	DATE: _____
FILE SPEC.: _____	